

Art. 4040-41 Electroválvula 2/2 vías N.A. Acción Directa **Art. 4040-41 Solenoid 2/2 ways N.O. Direct Acting**

Características

E.V. con acción directa adaptada para la interceptación de los fluidos compatibles con los materiales en que están construidas. No necesita de una presión mínima para su funcionamiento. Los materiales utilizados y las pruebas en que son sometidas garantizan fiabilidad y duración.

| APLICACIONES | Automatización | Calefacción |
|--------------|----------------|-------------|
| RACOR | G1/8" | G1/4" |
| BOBINAS | 8W | Ø 13 |

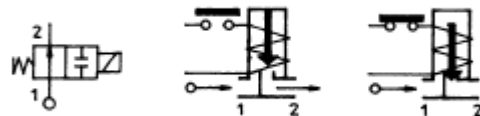
Features

Direct acting S.V. for interception of fluids compatible with the construction materials. Minimum operational pressure is not required. The materials used and the tests carried out ensure maximum reliability and duration.

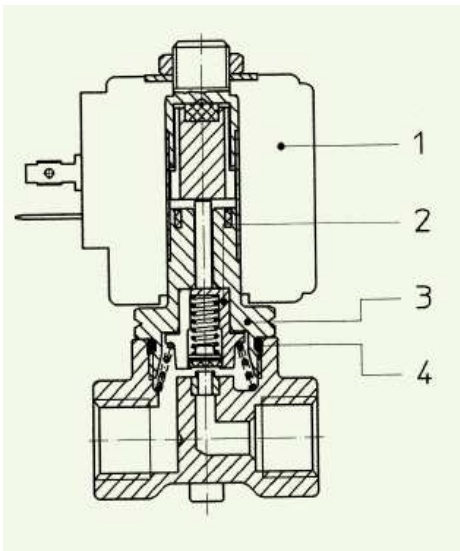
| USE | Automation | Heating |
|-------|------------|---------|
| PIPES | G 1/8" | G 1/4" |
| COILS | 8W | Ø 13 |



| Juntas-Gaskets | Temperaturas-Temperature | | Fluidos-Medium |
|-------------------------------|--------------------------|--------|--|
| V = FKM (elastómero fluorado) | - 10°C | +140°C | Aceites ligeros (2°E), gasolina, gasóleo |
| E = EPDM (etileno-propileno) | - 10°C | +140°C | Agua, vapor a baja presión |
| B = NBR (nitrilo) | - 10°C | + 90°C | Agua, aire, gases inertes |



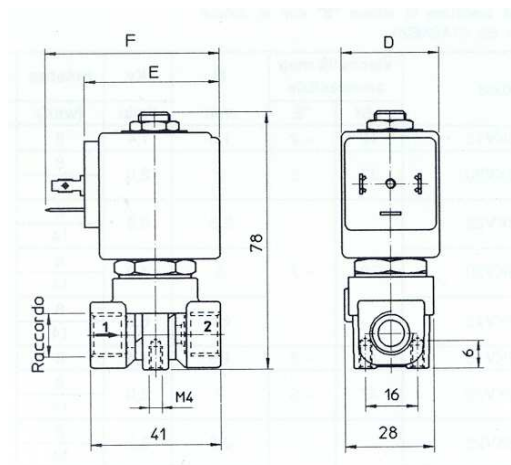
| Racord- Pipe ISO 228/1 | Código- Code | Viscosidad máx. admisible Max viscosity | | Ø | Kv | Potencia- Power (watt) | Presiones-Pressure | | | | |
|---------------------------------|-----------------|---|----|-----|-----|----------------------------------|--------------------|-------|------------|--------------|--------|
| | | cSt | °E | | | | mm | L/min | mín bar | máx M.O.P.D. | |
| | | | | | | | | | | AC bar | DC bar |
| G 1/8" | 4040 01 | 53 | 7 | 2,5 | 3,2 | 8 | 0 | 14 | 9 | | |
| G 1/8" | 4040 02 | | | | | 14 | | 30 | 25 | | |
| G 1/4" | 4041 01 | | | | | 8 | | 14 | 9 | | |
| G 1/4" | 404102 | | | | | 14 | | 30 | 25 | | |



| MATERIALES-MATERIALS | | | | | |
|--------------------------|----------------------|-------------------------------|---------------------|--------------------|-------------------|
| Nº | Denominación /Name | | Material-Material | | |
| 1 | Cuerpo | Body | Latón | Brass | OT 58 |
| 2 | Tubo Guía | Welded armature tube | Acero Inox | Stainless steel | AISI serie 300 |
| 3 | Núcleo fijo | Fixed core | Acero Inox | Stainless steel | AISI serie 400 |
| 4 | Núcleo móvil | Plunger | Acero Inox | Stainless steel | AISI serie 400 |
| 5 | Anillo de desfase | Phase displacement ring | Cobre | Copper | |
| 6 | Muelle | Spring | Acero Inox | Stainless steel | AISI serie 300 |
| 7 | Obturador | Seal | Standard B = NBR | | |
| | | | Bajo pedido V = FKM | | |
| | | | On request E = EPDM | | |
| 8 | Orificio | Orifice | Acero Inox | Stainless steel | AISI serie 316 |
| BAJO PEDIDO – ON REQUEST | | | | | |
| Conector | | Conector | Pg 9 ó Pg 11 | | |
| Conformidad conector | | Conector conformity | ISO 4400 | | |

| CARACTERÍSTICAS-FEATURES | | | |
|------------------------------------|-----------------------|---|--------------------------|
| Conformidad eléctrica | Electrical conformity | IEC 335 | |
| Grado de protección | Protection degree | IP 65 EN 60529 (DIN 40050) Con la bobina provista de conector - With coil fitted by connector | |
| ELEMENTOS DE RECAMBIO – SPARE PART | | | |
| 1 | Bobina | Coil | Véase valores – See page |
| 2 | Conjunto núcleo móvil | Complete plunger | - |
| 3 | Conjunto tubo guía | Complete armature tube | E0 30 |

DIMENSIONES - DIMENSIONS



| Tipo- Type | Racord- Pipe ISO 228/1 | D | E | F |
|---------------|------------------------------|----|----|----|
| | | mm | mm | mm |
| 4040 01 | G 1/8" | 30 | 42 | 54 |
| 4040 02 | G 1/4" | | | |
| 4041 01 | G 1/8" | 52 | 55 | 67 |
| 4041 02 | G 1/4" | | | |

| POTENCIA BOBINA – COIL POWER ABSORPTION | | |
|--|--------------------------------|-----------------------|
| W = | En el arranque- Inrush VA ~ | Trabajo- Hold VA ~ |
| 8 W | 25 | 14,5 |
| 14 W | 43 | 27 |